



Replacement Blowers



G9 (9005421) G9 Blower Only

G10 (9005441) G10 Blower Only

G12 (9005464) G12 Blower Only

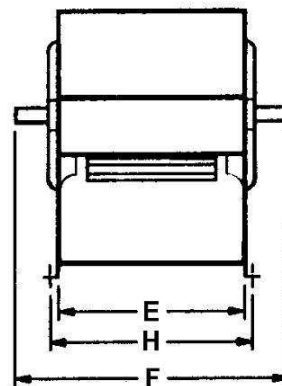
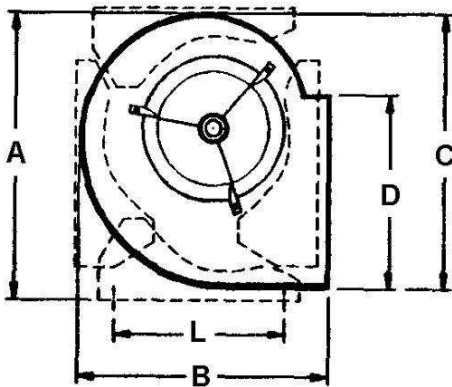
G15 (9005678) G15 Blower Only

** also blower # 9005478

G18 (9005493) G18 Blower Only

** call for pricing

**All blowers include housing, bearings, wheel, shaft and motor mounting bracket



BLOWER MODEL	A	B	C	D	E	F	H	L	SHAFT DIAMETER
G9	16 15/16	15 1/16	15 9/16	10 1/4	11 13/16	16 5/16	12 13/16	11 3/4	3/4
G10	19	16 3/4	17 3/8	11 3/8	13 1/8	17 5/8	14 1/8	13 3/8	3/4
G12	22 1/8	19 1/2	20 5/8	13 7/16	15 5/8	20 1/2	16 5/8	16 1/8	1
G15	25 3/4	22 11/16	24 1/4	15 7/8	18 5/8	25	19 5/8	19 1/2	1
G18	30 1/2	27	29	18 7/8	21 7/8	30 1/8	22 7/8	24	1

NOTE: THE G12 IS ALSO AVAILABLE WITH A 3/4" SHAFT (PLEASE CALL FOR PRICING)