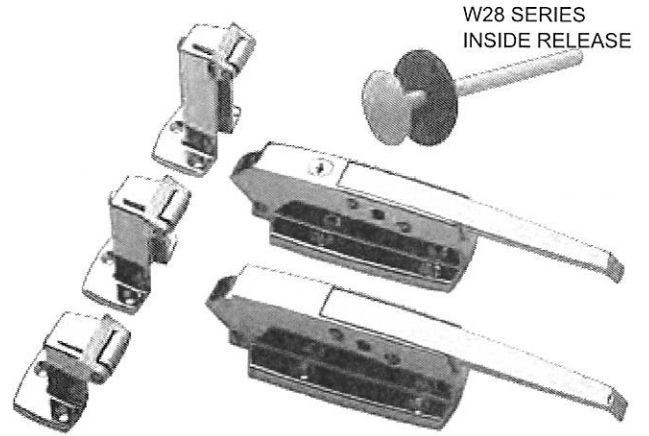
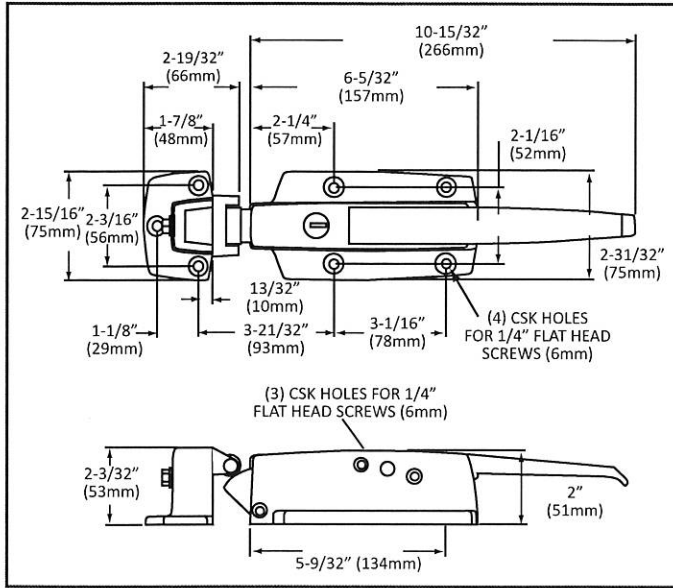


Walk-In Cooler Door Safety Latches

W19 SERIES SAFETY LATCHES DESIGNED ESPECIALLY FOR WALK-IN REFRIGERATORS AND FREEZERS



HEAVY- DUTY CONSTRUCTION... to provide the impact resistance required in heavy traffic areas. The latch body is constructed of reinforced die cast Zamak and furnished with a solid handle. All inner working parts and back plate are manufactured of solid stainless steel, unlike competitors models that can rust and leave unsightly stains on doors.

TAMPER PROOF DESIGN... eliminates pilferage of costly food stocks. Bolt cannot be retracted from the outside when latch is cylinder locked or padlocked. Yet with safety inside release mechanism occupants can safely exit even if latch is locked or padlocked.

FRICTION FREE OPERATION... provided by utilizing roller bolt retraction combined with roller strike action. Eliminates wear and allows doors to close smoothly and easily without slamming, while offering superb gasket compression.

EASY LIFT HANDLE... user friendly requires minimal hand pressure to completely retract bolt from strike. Low 1-1/2" (38mm) handle rise eliminates tugging and wrist twisting.

EASILY ADJUSTED STRIKE ASSEMBLY... offers variable offset adjustment permitting field adjustment for door gasket wear.

MODEL NO.	DESCRIPTION	FINISH	OFFSET
W19-1000	NO CYLINDER LOCK	POLISHED CHROME	-1/8" TO 3/8"
W19-1000-C	WITH CYLINDER LOCK	POLISHED CHROME	(-3mm TO 10mm)
W19-1500	NO CYLINDER LOCK	POLISHED CHROME	3/4" TO 1-5/8"
W19-1500-C	WITH CYLINDER LOCK	POLISHED CHROME	(19mm TO 41mm)
W19-2000	NO CYLINDER LOCK	POLISHED CHROME	1-5/8" TO 2-1/2"
W19-2000-C	WITH CYLINDER LOCK	POLISHED CHROME	(41mm TO 64mm)