

Inside Safety Releases

W28 SERIES INSIDE SAFETY RELEASES

- **SURFACE MOUNT AND FLUSH MOUNT STYLES** are available
- **GLOW-IN-THE- DARK KNOB** meets all industry safety standards
- Durable **SOLID FIBERGLASS REINFORCED** polyester pushrod provides years of smooth, safe, frost-free operation and eliminates conductivity of cold air

- Short Stroke engineering provides **IMMEDIATE INSIDE RELEASE** even if latch is cylinder locked, padlocked or both
- **RECESSED DESIGN** protects knob from exposure to traffic of heavy crates, hand trucks and loading vehicles
- **ALL STANDARD DOOR THICKNESSES** are available

FOR RECESSED MOUNT



SPECIFICATIONS

KNOB: GLOW-IN-THE-DARK SAFETY GREEN THERMOPLASTIC

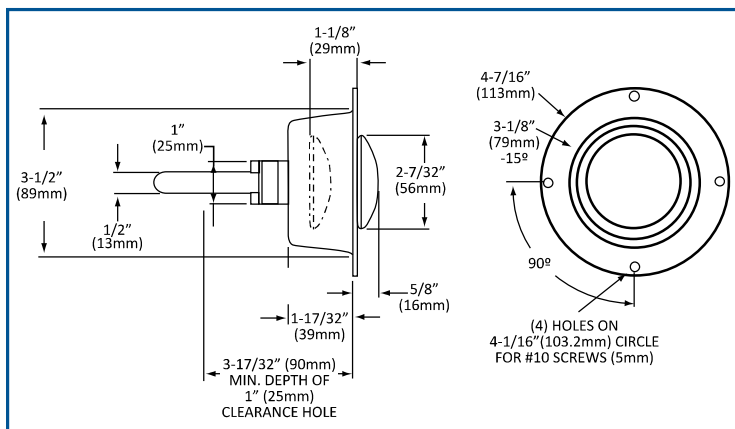
FLANGE: GREY THERMOPLASTIC

PUSH ROD: NON-CONDUCTIVE FIBERGLASS REINFORCED POLYESTER

NOTE: INSIDE RELEASES MUST BE ORDERED SEPARATELY

RECESSED MOUNT

| MODEL NO. | DOOR THICKNESS |
|-----------|----------------|
| W28-3400 | 4" (102mm) |
| W28-3600 | 6" (152mm) |
| W28-3800 | 8" (203mm) |



FOR SURFACE MOUNT



SURFACE MOUNT

REF. A

| MODEL NO. | DOOR THICKNESS |
|-----------|----------------|
| W28-2325 | 3-1/4" (83mm) |
| W28-2400 | 4" (102mm) |
| W28-2600 | 6" (152mm) |
| W28-2800 | 8" (203mm) |



STAINLESS STEEL INSIDE RELEASES

REF. B

| MODEL NO. | DESCRIPTION |
|-------------|---|
| W28-2400-SS | S/S ROD FOR 4" (102mm) WALL WITH BRASS KNOB |
| W28-2300-SS | S/S ROD FOR 3" (76mm) WALL WITH BRASS KNOB |

